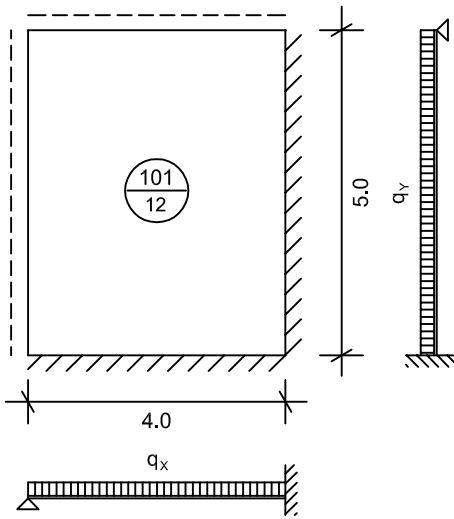
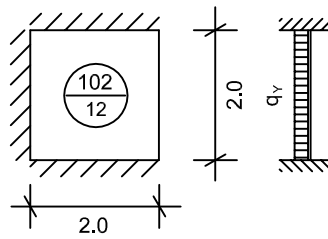


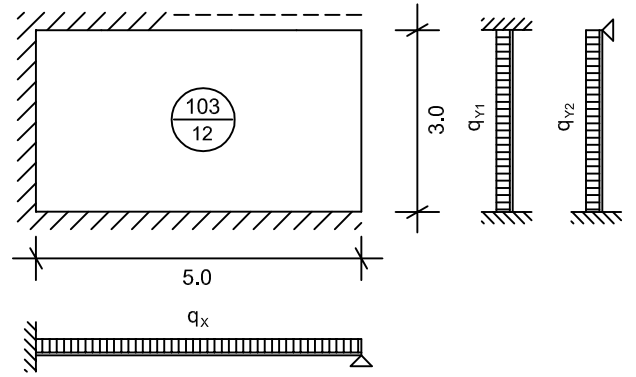
1) CÁLCULO DE LOSAS



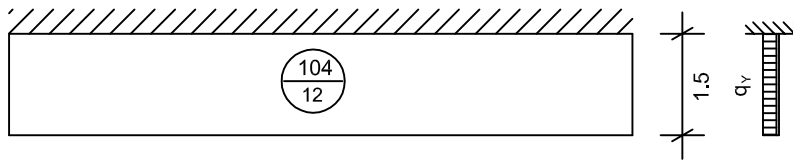
$q_x = 390 \text{ kg/ml}$
 $q_y = 160 \text{ kg/ml}$



$q_x = 11 \text{ kg/ml}$
 $q_y = 539 \text{ kg/ml}$

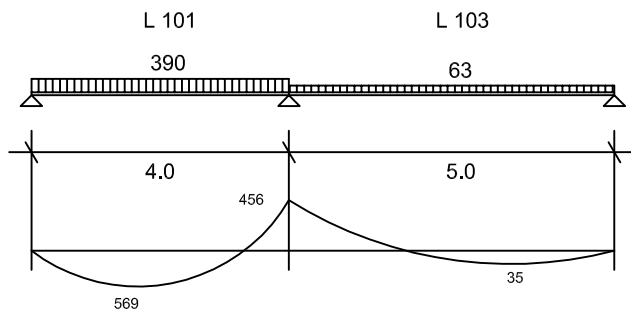
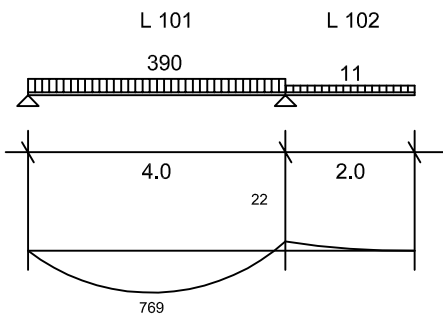


$q_{x1} = 32 \text{ kg/ml}$
 $q_{y1} = 518 \text{ kg/ml}$
 $q_{x2} = 63 \text{ kg/ml}$
 $q_{y2} = 487 \text{ kg/ml}$



$q_x = 0 \text{ kg/ml}$
 $q_y = 550 \text{ kg/ml}$

BANDAS "X"



BANDAS "Y"

