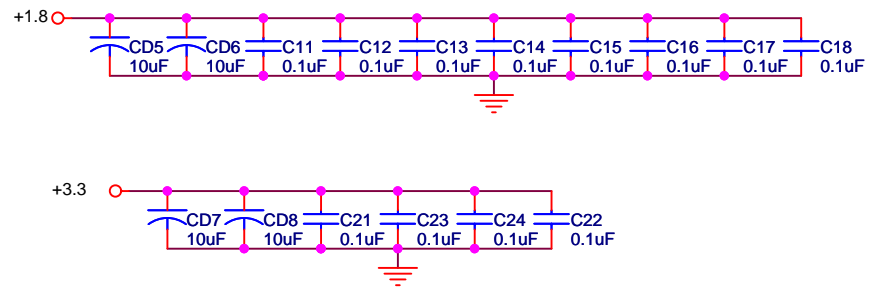
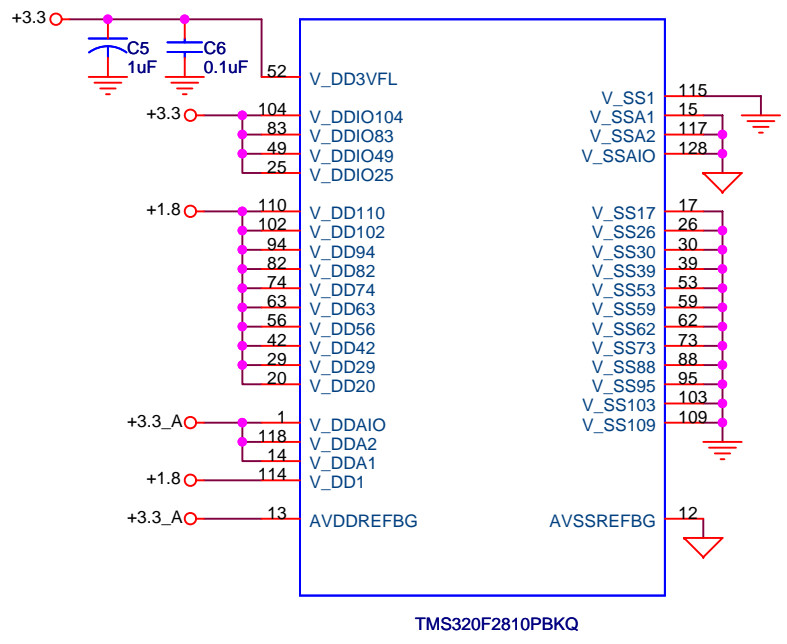
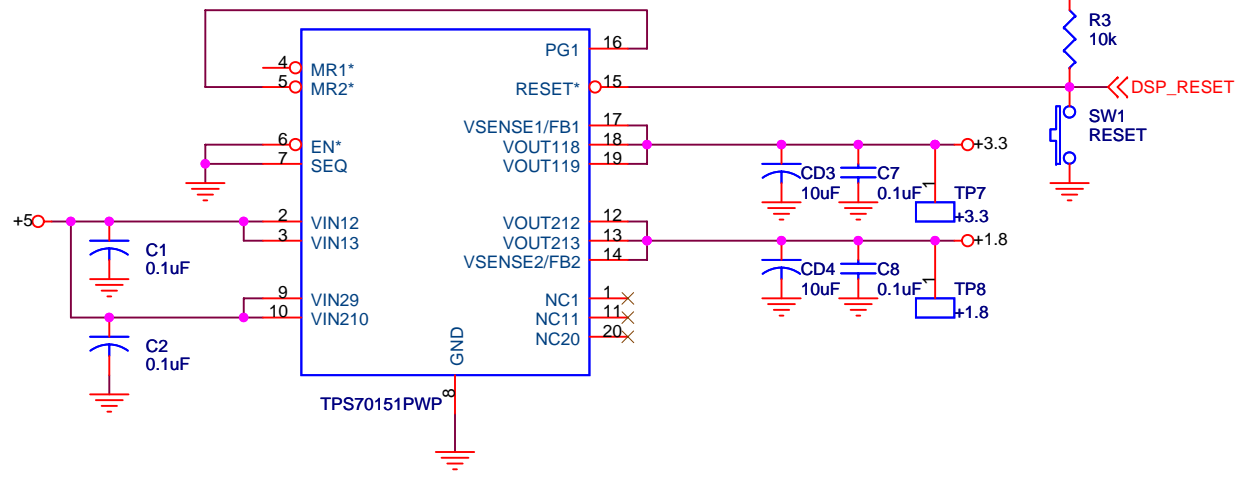
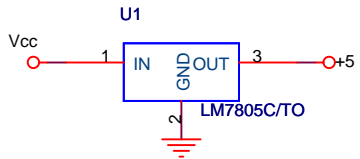


TMS320F2810PBKQ

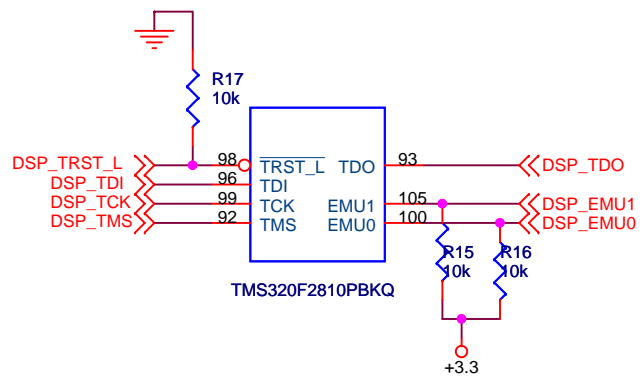
Title		
DSP CORE I/O		
Size	Document Number	Rev
A4	A1	1.0
Date:	August 02, 2007	Sheet 1 of 1



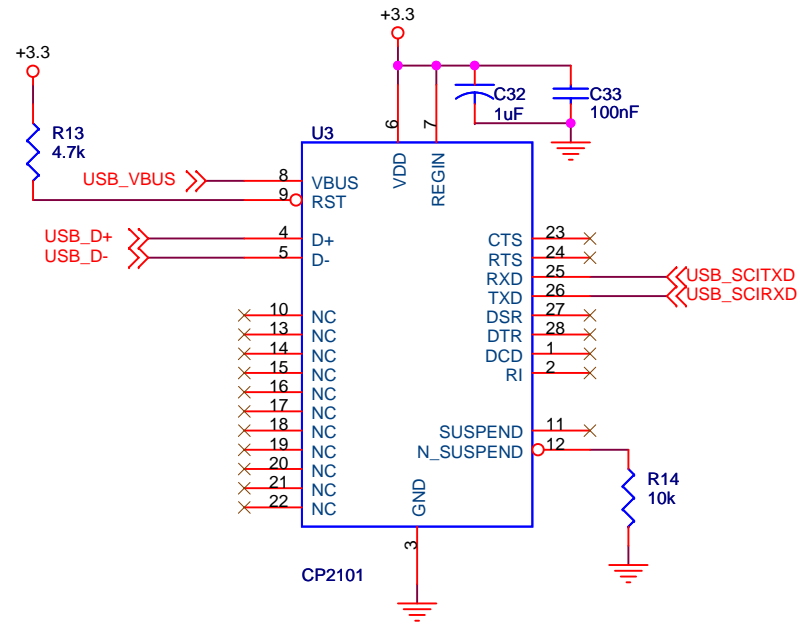
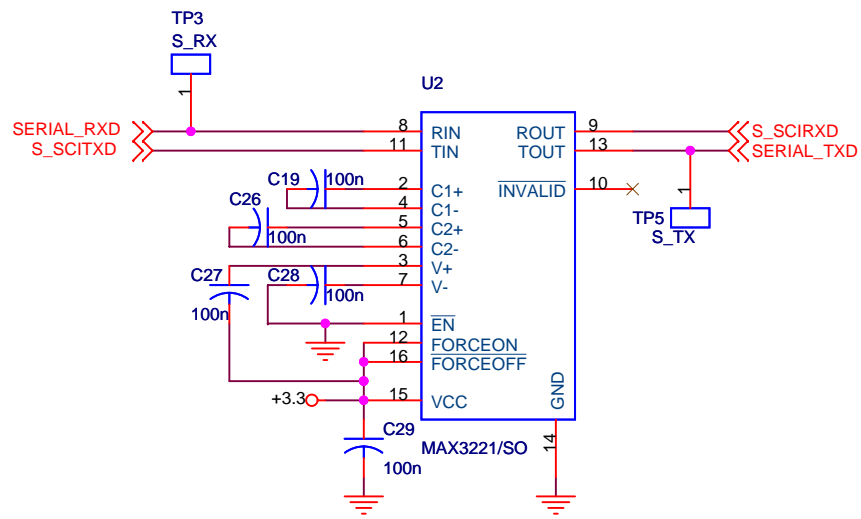
+3.3
+3.3_A

ADC Analog: Preferentemete Aislado

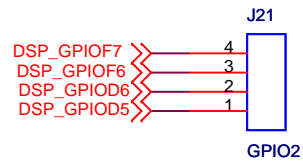
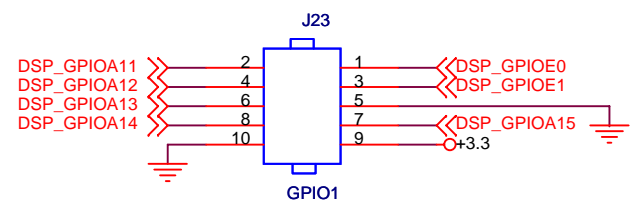
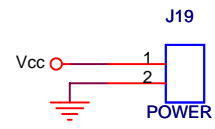
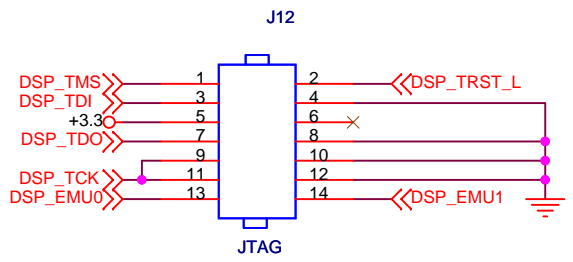
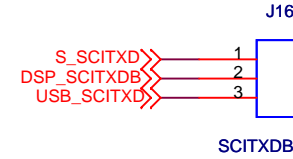
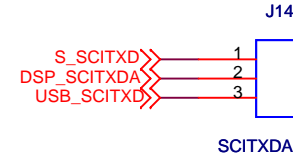
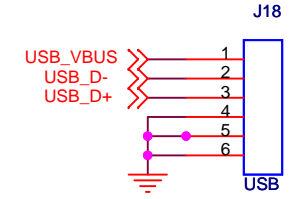
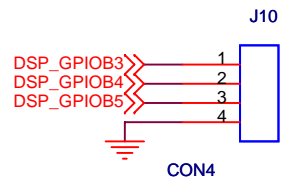
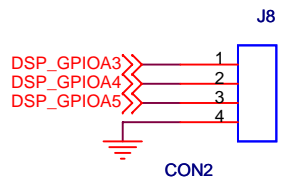
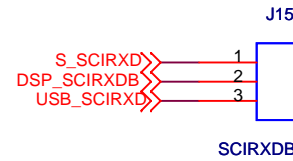
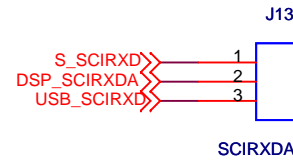
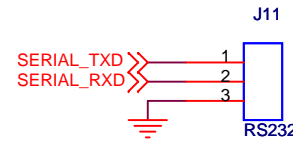
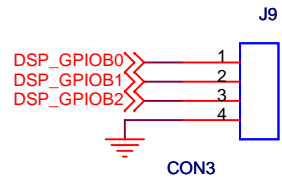
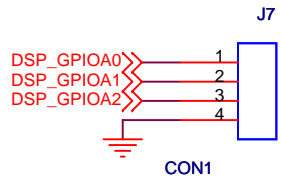
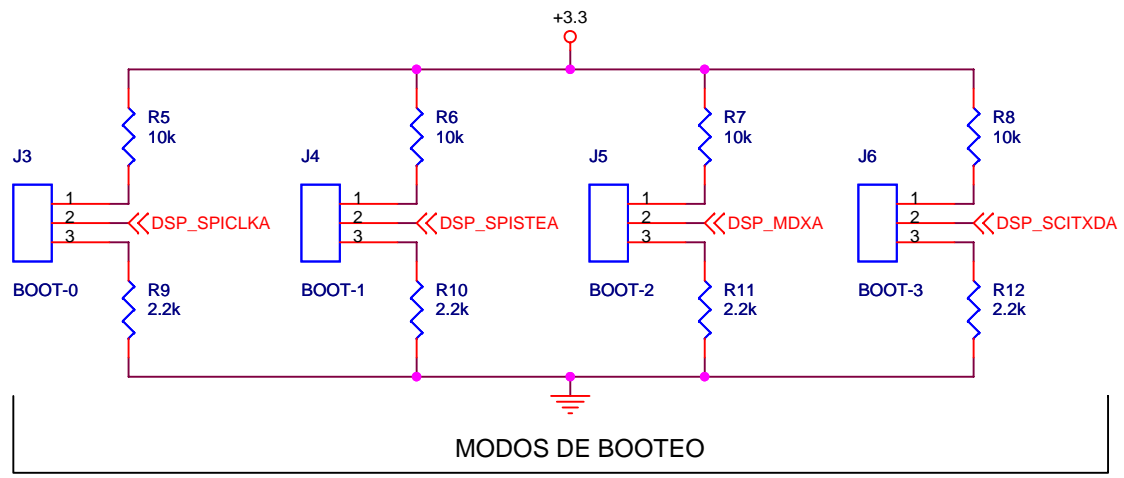
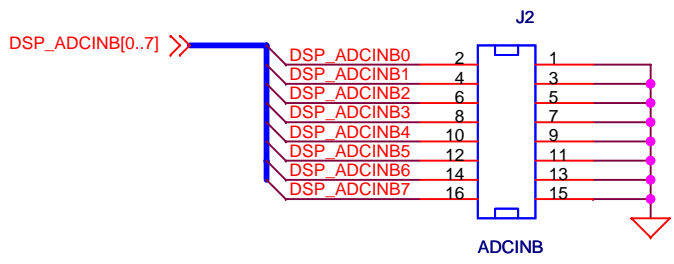
Title		
ALIMENTACION		
Size	Document Number	Rev
A4	A4	1.0
Date:	August 02, 2007	Sheet 1 of 1



Title		
JTAG		
Size	Document Number	Rev
A4	A5	1.0
Date:	August 02, 2007	Sheet 1 of 1



Title		
PERIFERICOS I/O		
Size	Document Number	Rev
A4	A2	1.0
Date:	August 02, 2007	Sheet 1 of 1



Title		
CONECTORES		
Size	Document Number	Rev
A4	A3	1.0
Date:	August 02, 2007	Sheet 1 of 1